



# Assembly Guide

# Step by step

We're here for you at every step of the process. If you get stuck, send us a note at [hello@zauben.com](mailto:hello@zauben.com). We'll get through this together.

## Welcome to Zauben

Something big is about to happen. This is more than just a personal space for the open office. You're building a space to breathe, think big, and dream up what's next. All you need is one tool, and it's already in your hands.

Thank you for being a part of our community. We're so happy you're here. Now, let's get to work.



# Tools



Two People



30 minutes



Tape



Pencil



Step Ladder



Power Drill



Drill Bits  
1/4"  
1/2"  
5/16"



Socket Driver  
7/16"  
1/2"  
9/16"

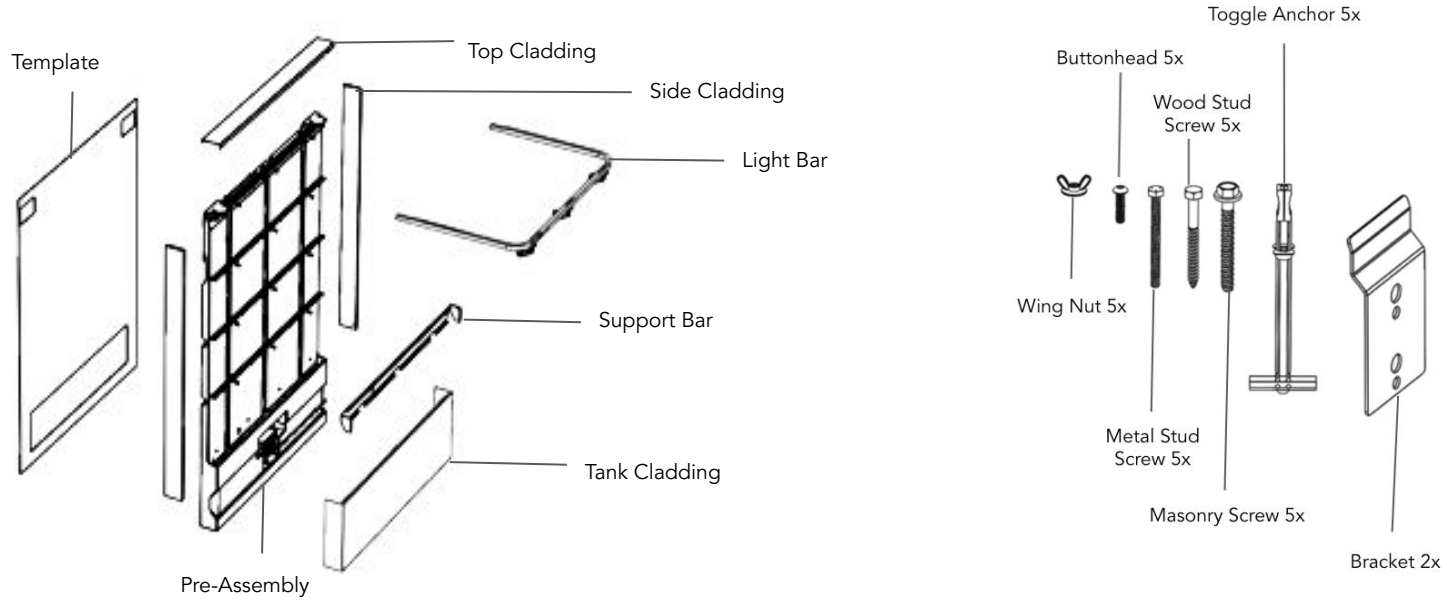


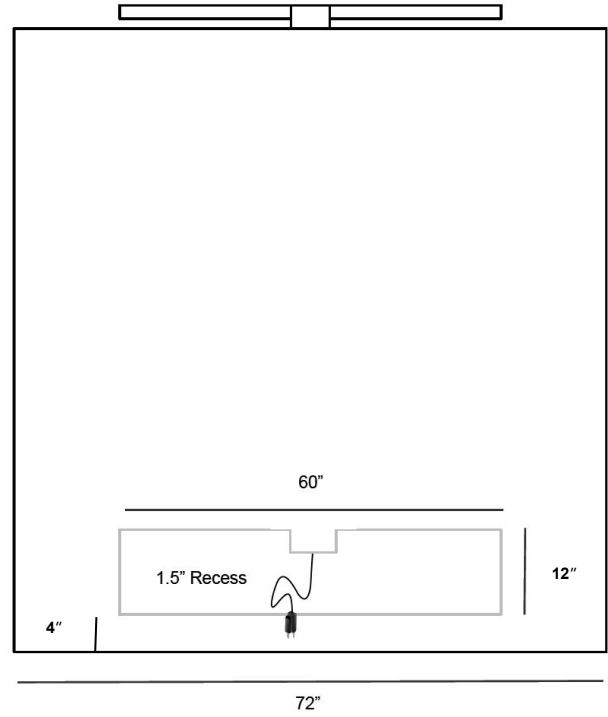
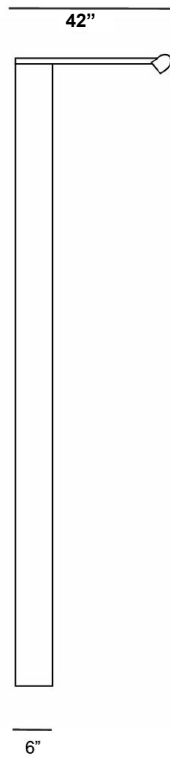
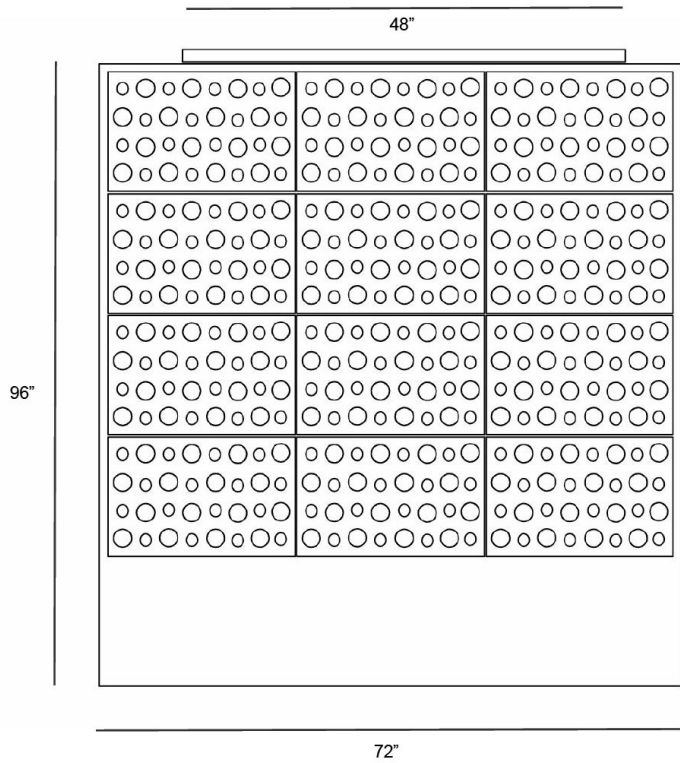
Water 20 Gallons



Stud Finder

# What's in the box?

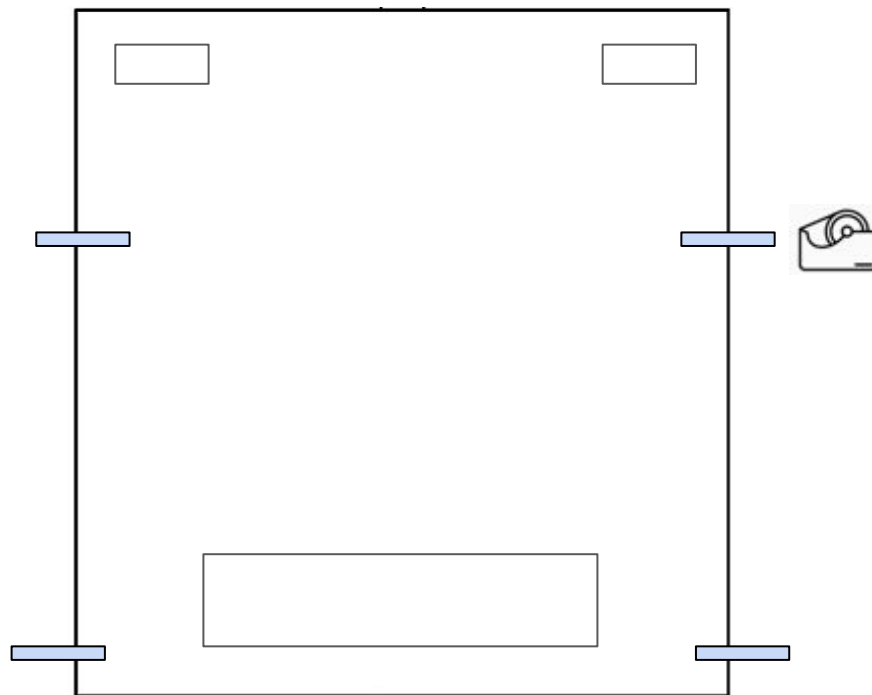




# 01

Place Template flat against wall in desired Model Z location. Temporarily fix in place with 2-4 pieces of tape to verify there is an outlet within the recess space.

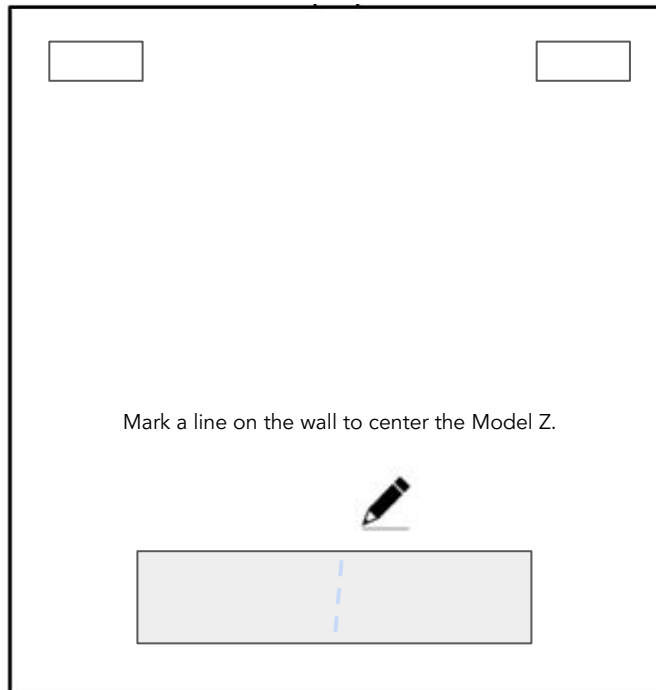
If there is not an outlet do not proceed without Zauben authorization.



# 02

Draw a small line on the wall where the notch is on the template.

This is your center line which you will need later after the template is removed.

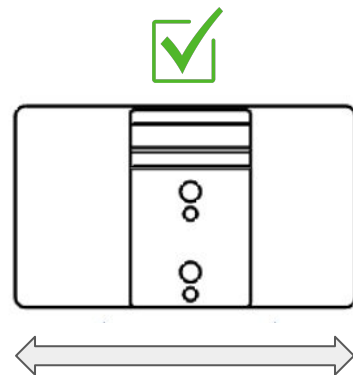
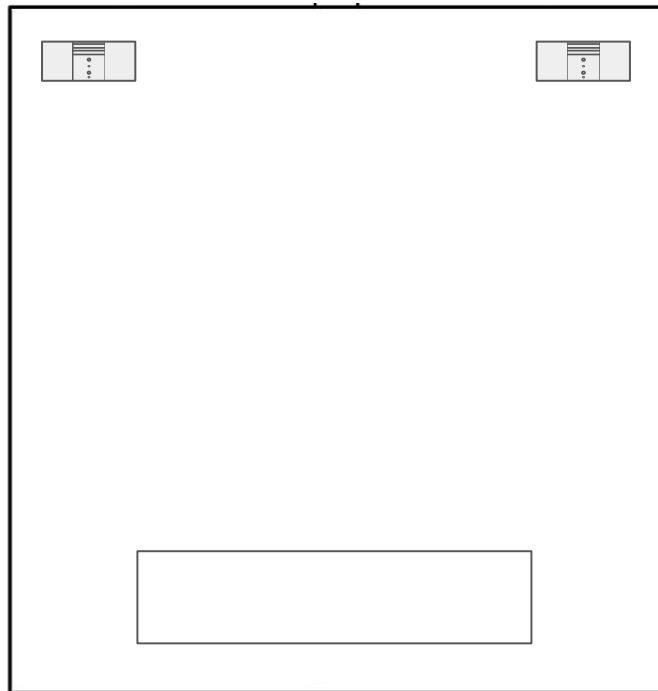




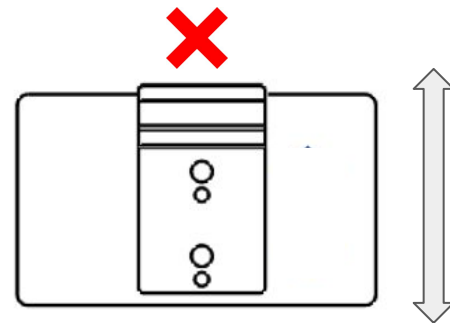
# 03

Line up the bottom of the brackets with the top left and right openings.

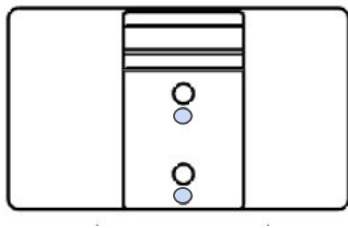
Next use stud finder and attach wall bracket to secure Model Z to wall.



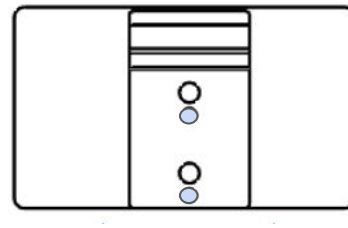
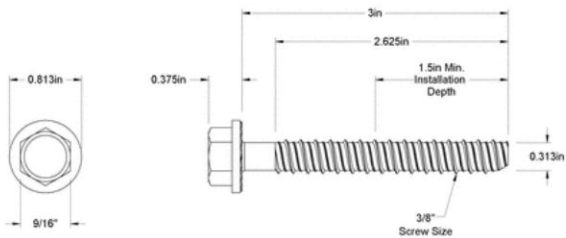
Line up the bracket with the bottom opening.



# 04

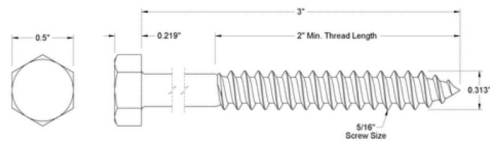


If you are mounting to concrete, pre-drill  $\frac{5}{16}$ " hole  $3\frac{1}{2}$ " deep through the two smaller hole locations. Then secure brackets with masonry screws.

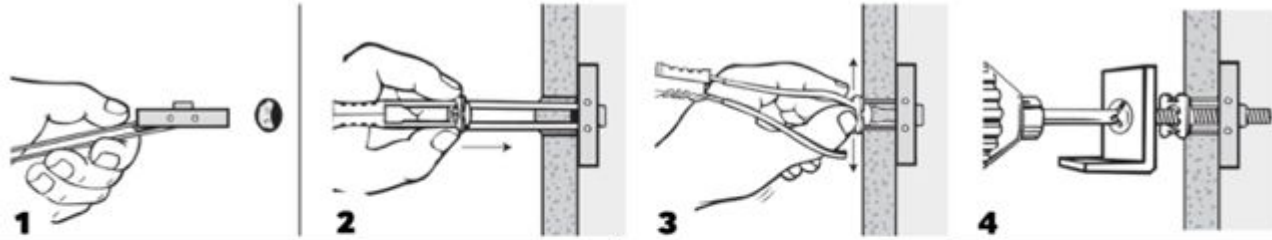
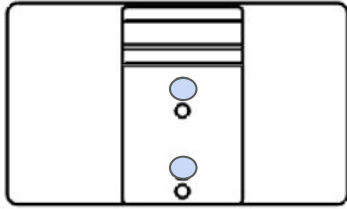


If you are mounting to wooden studs, pre-drill  $\frac{1}{4}$ " hole  $3\frac{1}{2}$ " deep through the two smaller hole locations.

Then secure brackets with wood screws.

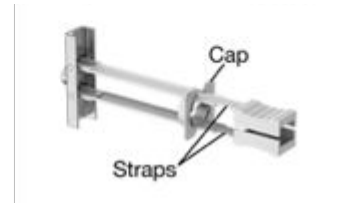


# 04 (continued)



If you are mounting to drywall or metal studs drill  $\frac{1}{2}$ " through the two larger hole locations.

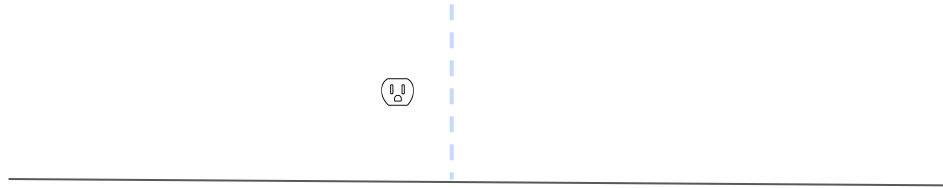
Next, follow the steps 1 - 4 below to install the toggle anchors and secure the brackets with the included  $\frac{1}{4}$  -20 " bolts.



# 05



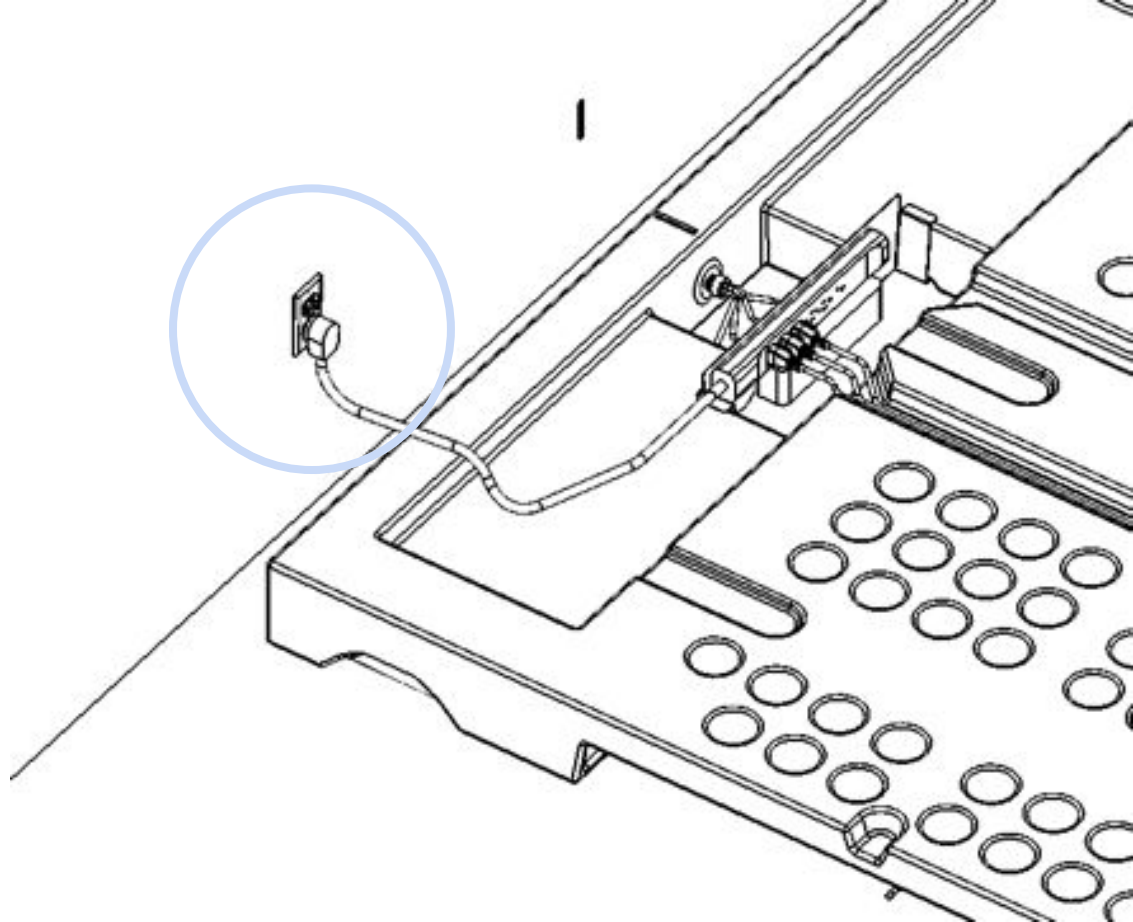
After both wall brackets are mounted, remove the template and discard. Only the brackets and center line should be shown on the wall.



# 06

Next, carefully lay the pre-assembly down on the floor, face down as shown and connect plug to outlet. Please note that the connection must be made before going on to next steps.

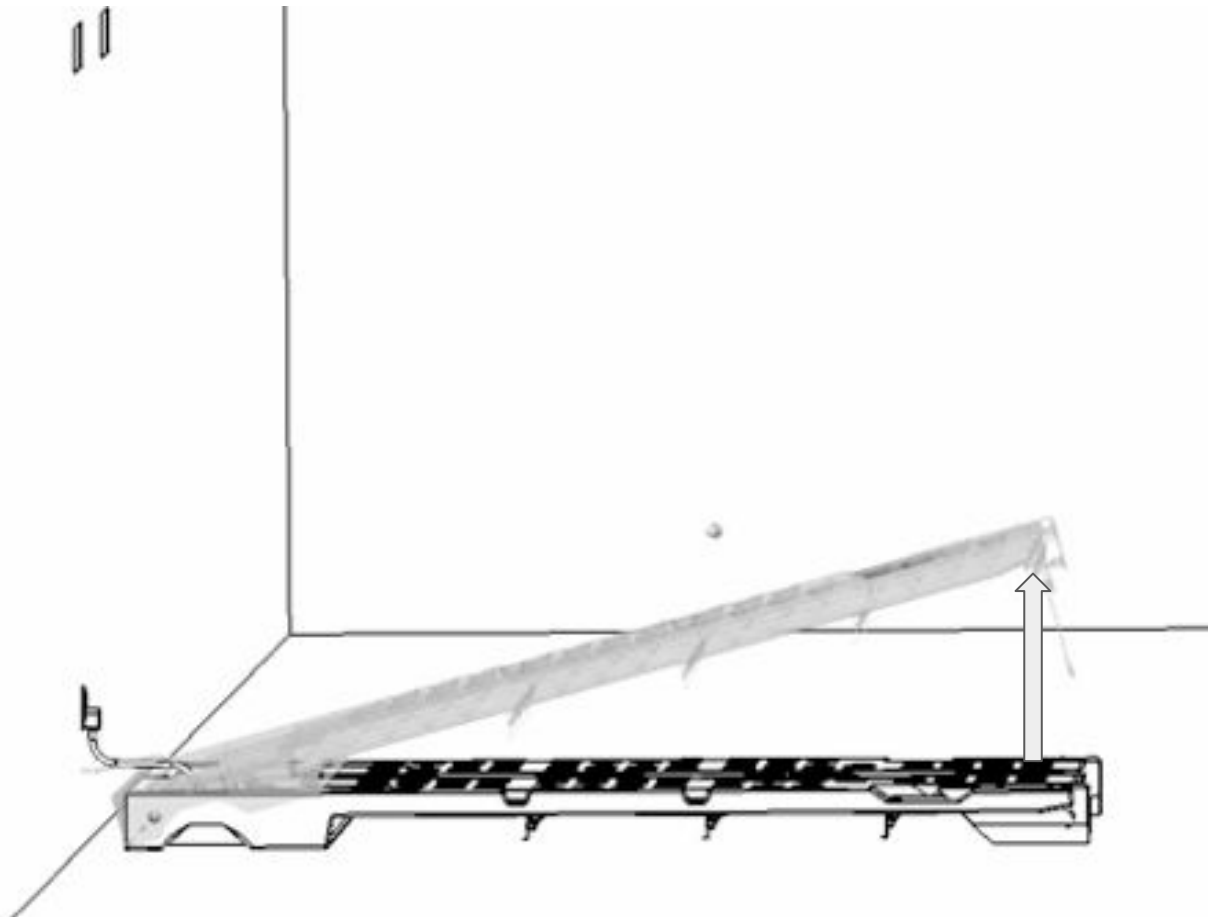
Align the center-line marking on the back of the pre-assembly with the mark you made on the wall.



# 07

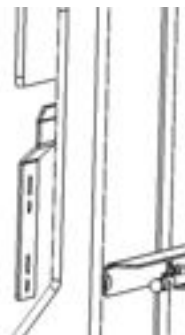
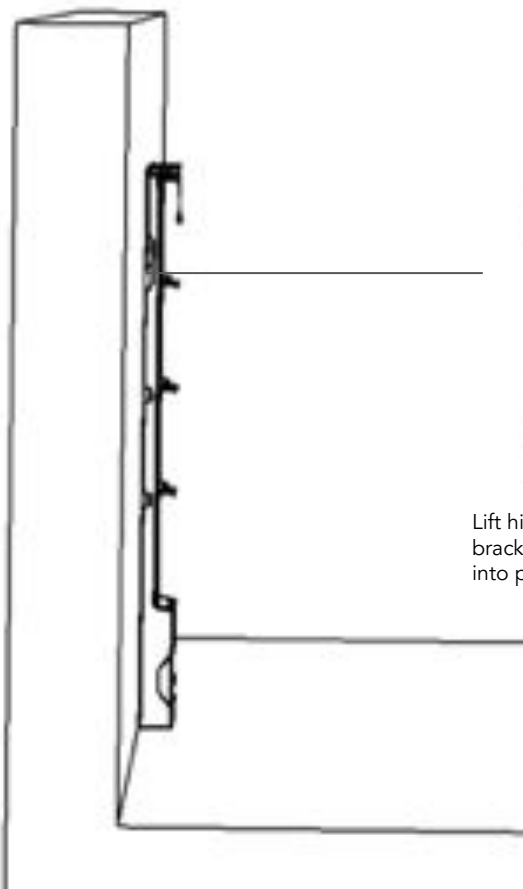
Lift pre-assembly up until it is standing on its own right in front of the wall.

The frame could still tip forward so do not let go or walk away at this point.

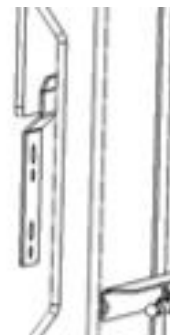


# 08

When the pre-assembly is up against the wall carefully lower it onto the wall brackets



Lift high enough to clear both brackets and then gently lock into place.



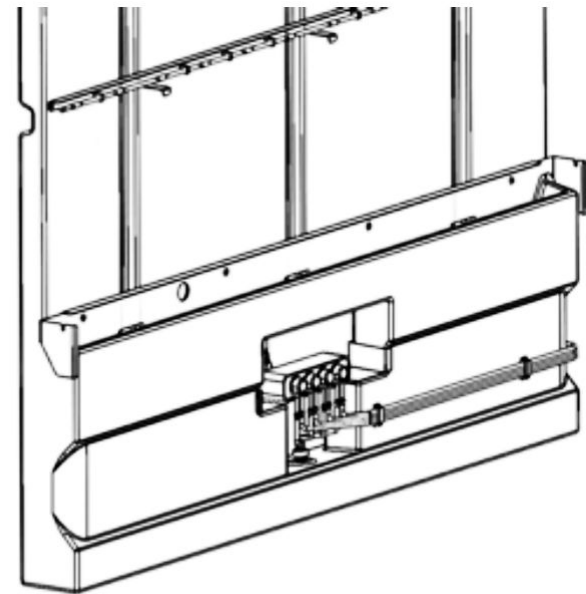
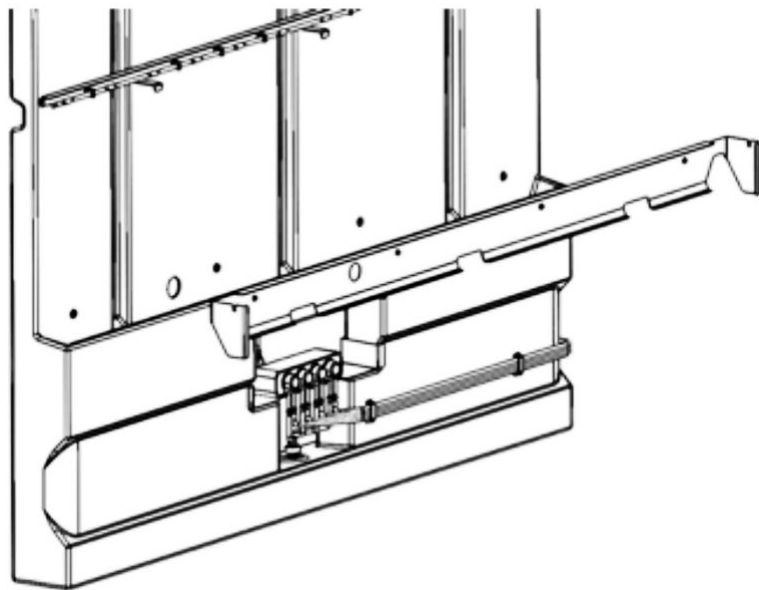
Make sure that brackets are locked and secured before moving onto next step.

# 09

Attach Support Bar with the 4x  
Button Head screws.



Buttonhead 4x



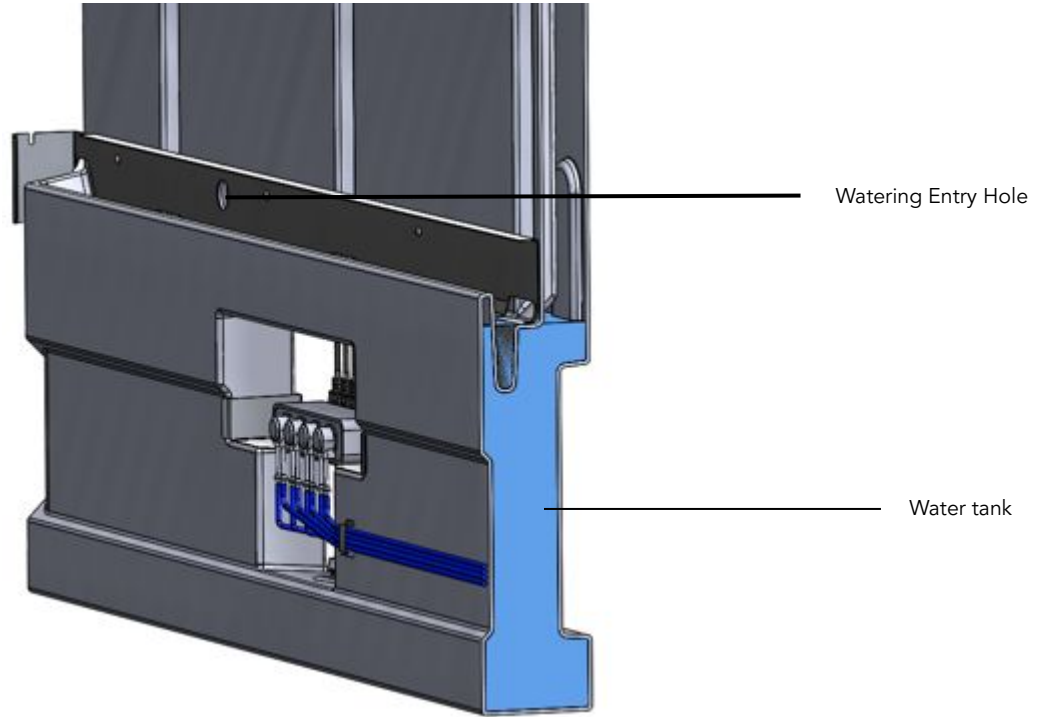


# 10

Fill the water tank to capacity (20 Gallons). The filters will be 100% saturated when tank is full.



Water 20 Gallons



# 11

Prime each pump head, one at a time, by holding down the manual-on button until water begins to trickle out of irrigation.

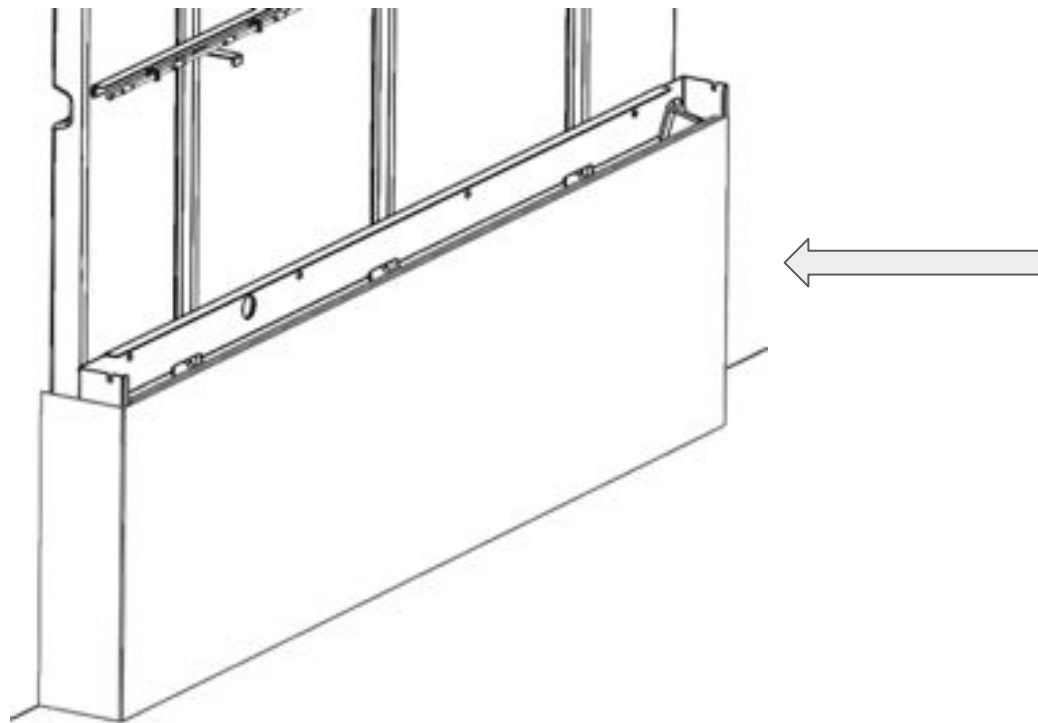
This may take several minutes for Pump1, but Pump 2,3, and 4 should be faster.

Priming is only necessary when the tank is allowed to go completely empty.



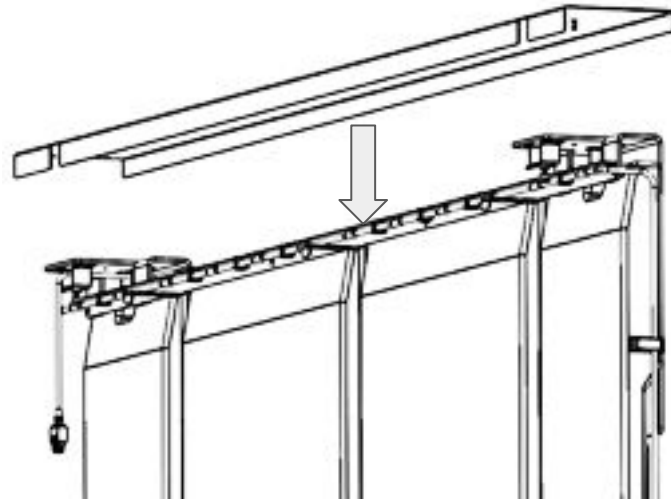
# 12

Attach front cladding in front of water tank making sure to have flush against the wall.

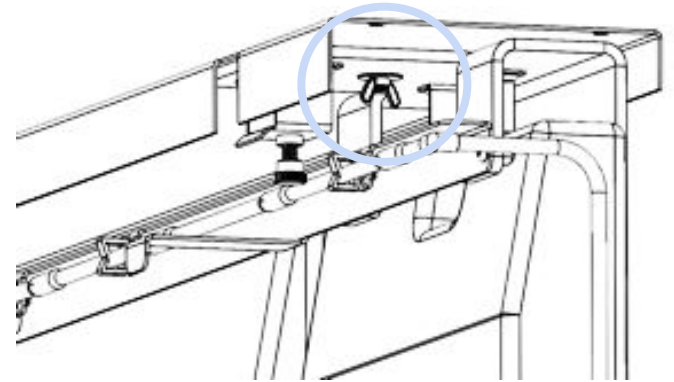


# 13

Gently lower Top Cladding on top of Model Z unit.



Then lock into place with wingnut on each side of cladding.



Wingnuts 2x



Step Ladder

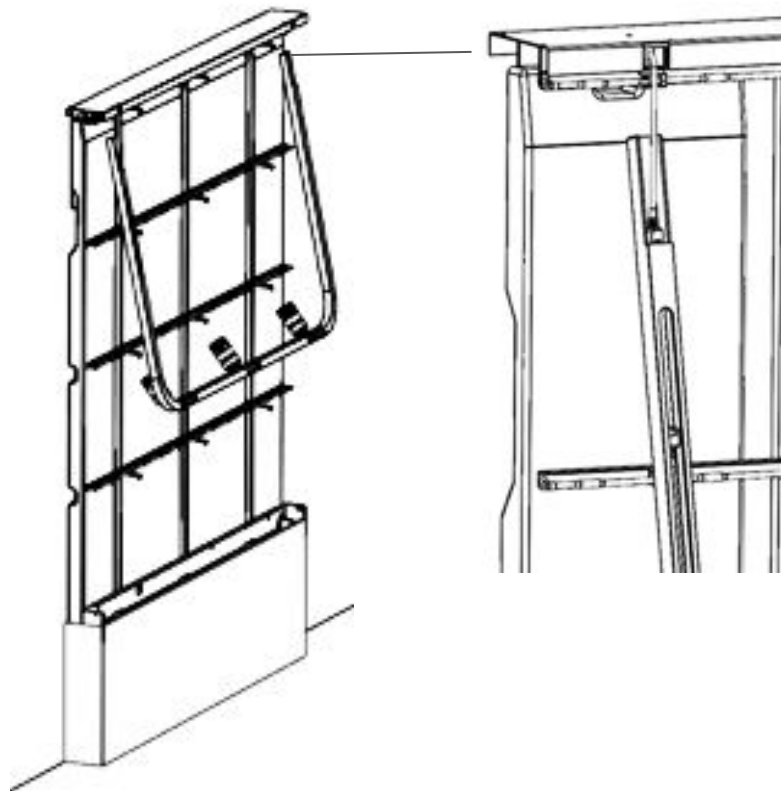
# 14

Hold Light Arm up against pre-assembly and feed the wire harness into the tubing as shown.

Do not connect wire until next step.

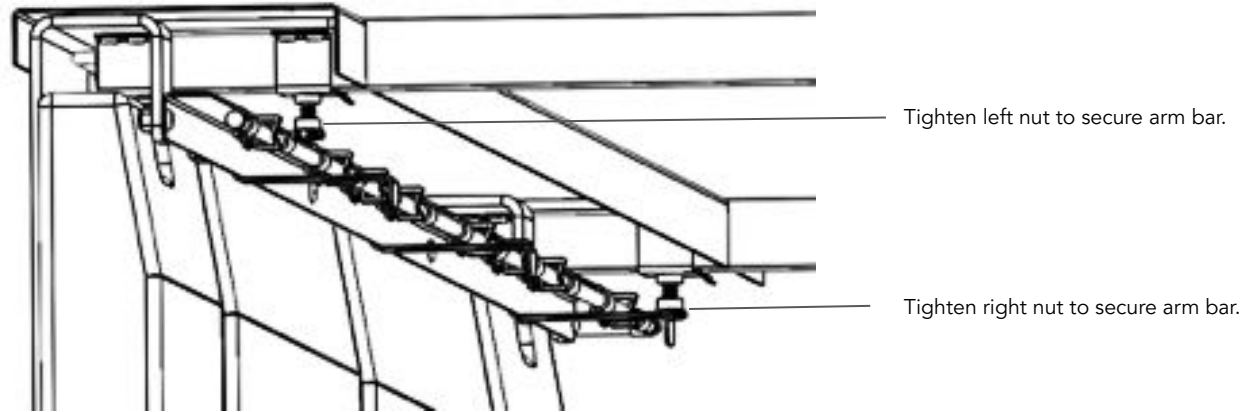


Step Ladder



# 15

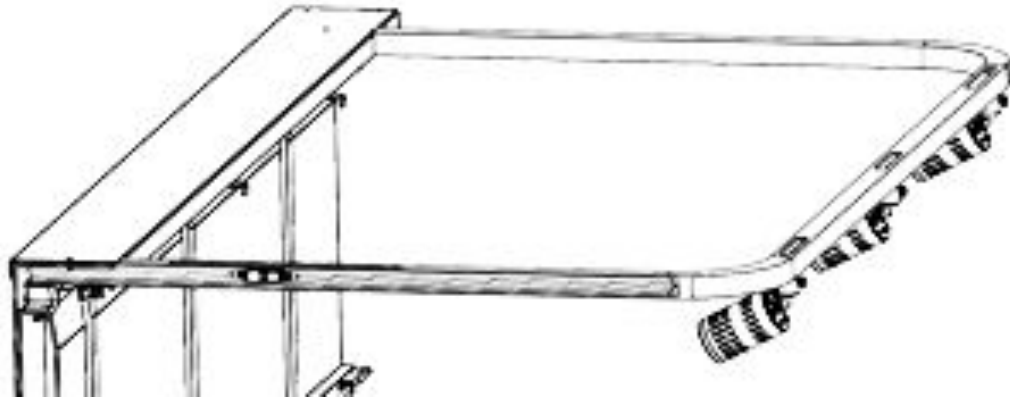
Next slide the light arm into the backing and tighten both thumb screws to lock in place.



# 16

Once light arms are secure then connect the power wires together

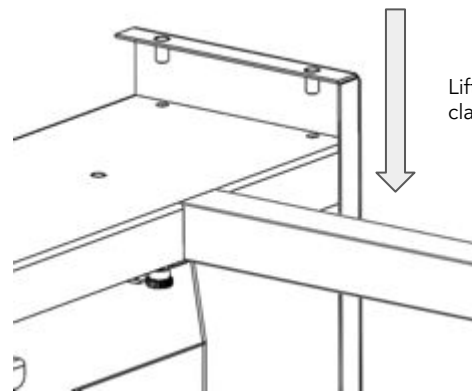
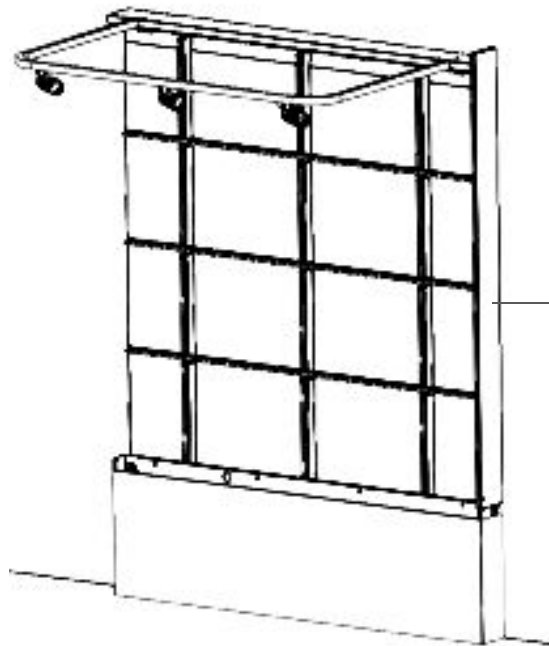
Note: If the local time is between 6:00 AM and 8 PM the lights should turn on as soon as the connection to power is made.



# 17

Lift Right Cladding up to align pins on top. Then lower carefully.

Next repeat with Left Cladding.



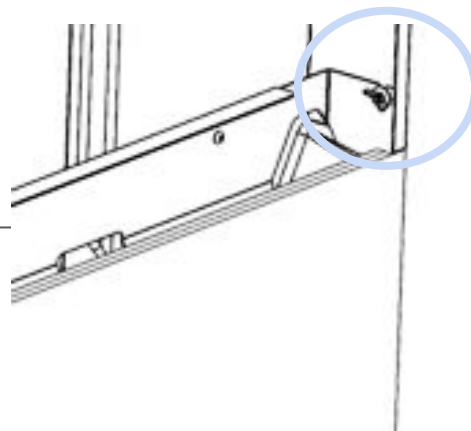
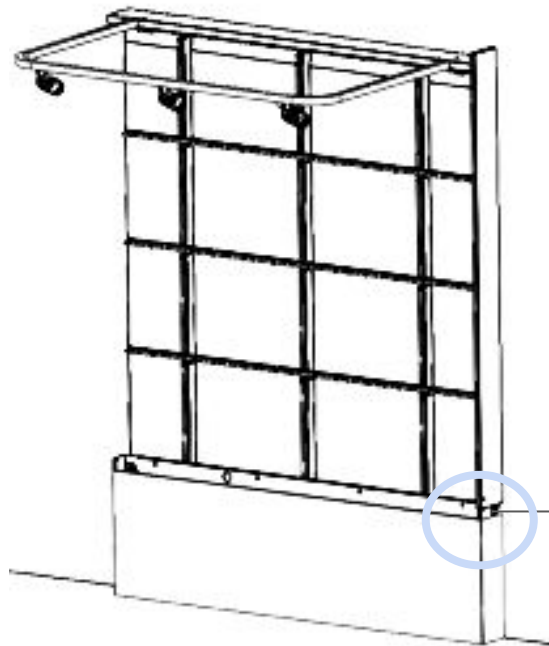
Lift above and slide cladding on top.



# 18



Wingnuts 2x



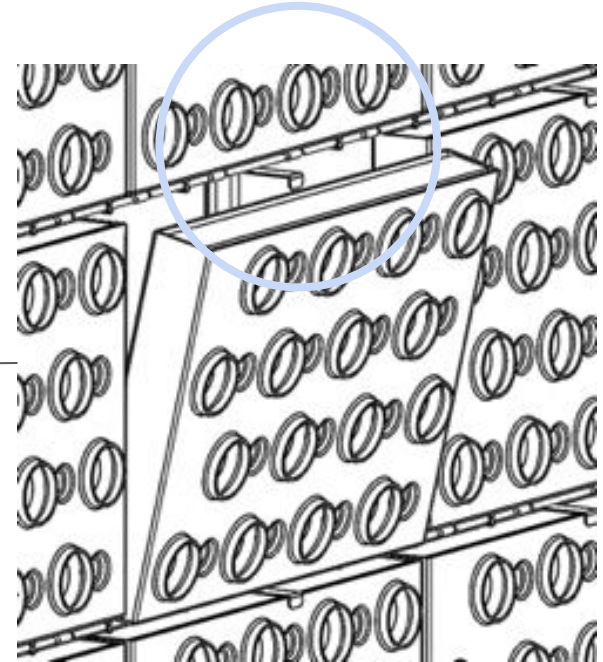
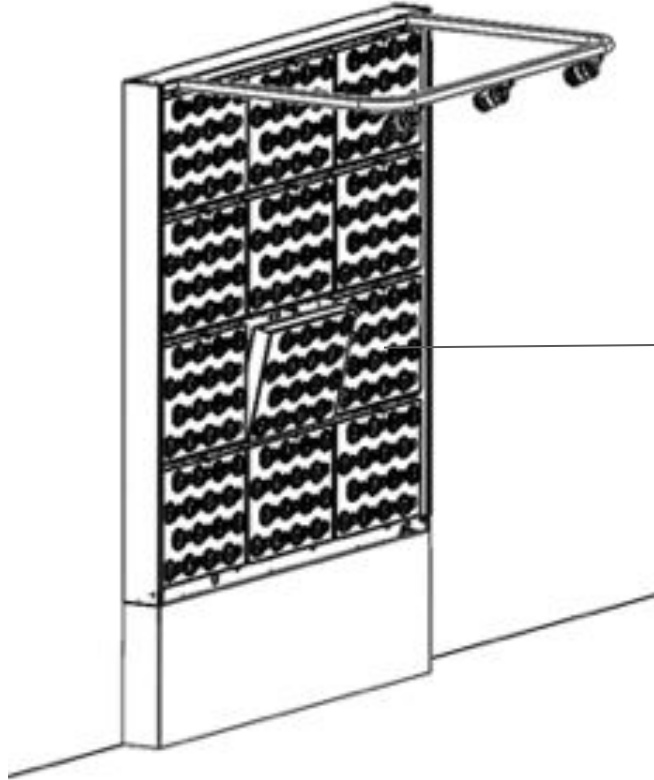
Tighten wing nuts on the bottom left and right side.

# 19

Lift flex hook to insert or remove plant carriers.

Finally remove all packaging and clean all surface areas.

Once completed take a photo and send to [hello@zauben.com](mailto:hello@zauben.com) with the subject line being the location and date of installation.





## Green Your World

Congrats. You just built a Model Z with your bare hands. From what we know, not many people in the world can say the same. We hope you're feeling as proud as we are. **A few things before you go:**



### **Keep this manual handy**

We designed our living wall to be flexible, so whether you're switching floors or moving into a new building, you can take the Model Z wherever you go. This manual will come in handy when you want to disassemble the living wall and put it back together in your new office, so make sure to keep it in a safe place.



### **Recycle the packaging**

We care about the environment, and we know you feel the same. After all, that's one of the great things that brought us together. Our packaging was designed to be flattened so it's easy to recycle. Together, we can make a little more room for the environment.

# Need Some Help?



[hello@zauben.com](mailto:hello@zauben.com)



(312) 248-2982